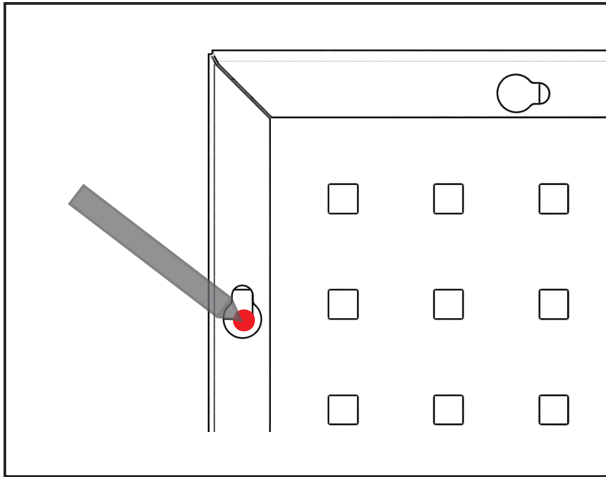
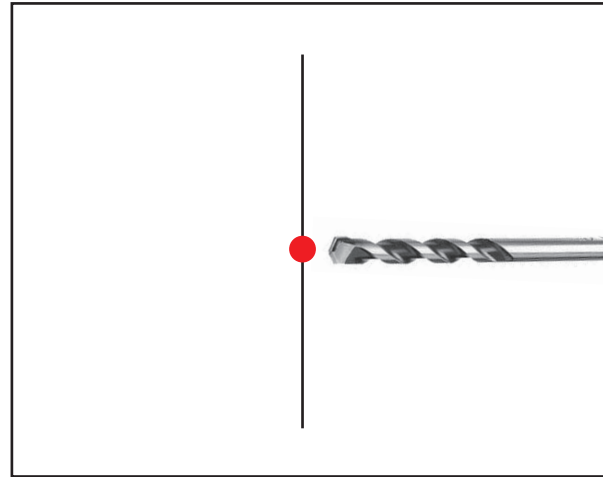


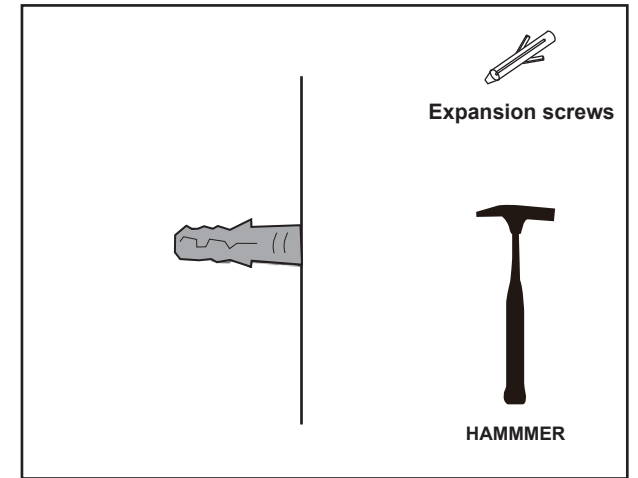
# How to install mesh panel



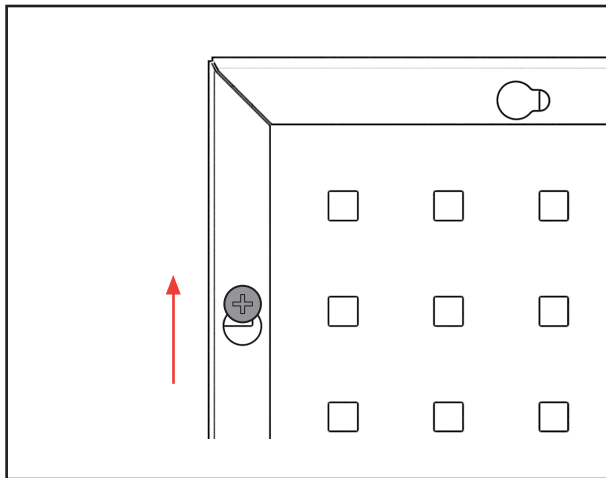
Step 1: Mark the attachment point(s) with a pencil at the appropriate height..



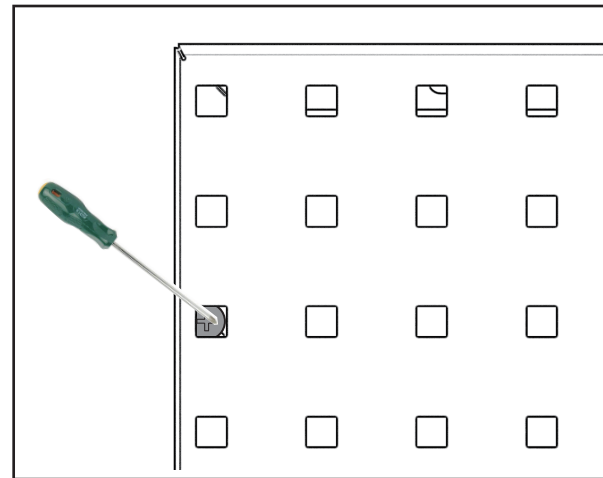
Step 2: Drill 1/3-inch (8mm) diameter hole(s) deep into the wall at the height you marked with pencil.



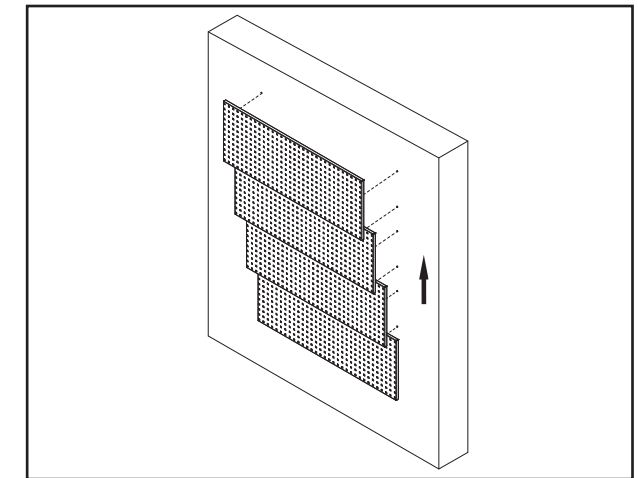
Step 3: Drive the plastic plug(s) into the hole(s), using a hammer if needed.



Step 4: Hang the pegboard from the big side.



Step 5: Tighten the screws from the front side.



Step 6: Install from the bottom to top.