
ANGEL CUSTOM

Micro Control Unit Tracer Module

INSTRUCTIONS

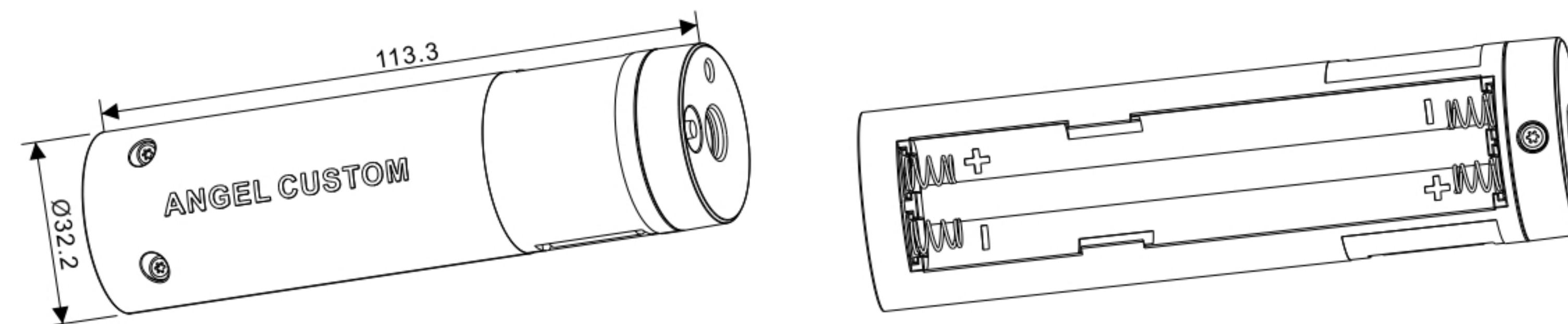


Model:AC-MCU-TR01

How to start

- Install 4 AAA Alkaline batteries according to the polarity diagram of the holder
- Press the power indicator once to TURN ON ; Green Light signal (3 times)
- Insert this device into the front or rear direction inside the barrel extension for complete assembly usage

Specification



- Size : 32.2mm X 113.3mm
- Weight : 42 grams
- Battery Cell : AAA Alkaline Batteries X 4 / AAA Ni-MH Rechargeable Batteries X 4
- Power On : Green Light (3 times)
- Low Power : Red Light (Strobe)
- Power Off : Red Light (3 times)
- RPM : 2400 (Rounds Per Minute)

Features

- ✧ Monitored by MCU (Micro Control Unit)
- ✧ When the power is on ; auto motion detection will be activated
- ✧ S-State (Sleeping State) : Control Circuit will automatically turn off after idling for 3 minutes
- ✧ P-State (Performance State) : Control Circuit will automatically turn back on if any BBs pass through the module
- ✧ LVP (Low Voltage Protection) : If the input voltage drops below 3.5V , circuits will be cut-off completely